

# SB6030L or SB6030R 60 x 30 AcrylX Alcove Shower Base

**Model number:**

CL030013

**Dimensions:** 60" x 30" x 4.25"

**Installation:**

**Material:** AcrylX™



## Standard Features:

- NEW 2020 Icon series
- AcrylX™
- Water migration channel added
- Slip resistant floor
- Left or right hand drain

## Product characteristics:

- AcrylX™
- Made in North America
- Available in Multiple Finishes

## Warranty:

Lifetime limited

## Standard Colors:



White

## Certifications

CLARION products adhere to one or more of the following certifications:



*Clarion*

# SB6030L or SB6030R 60 x 30 AcrylX Alcove Shower Base

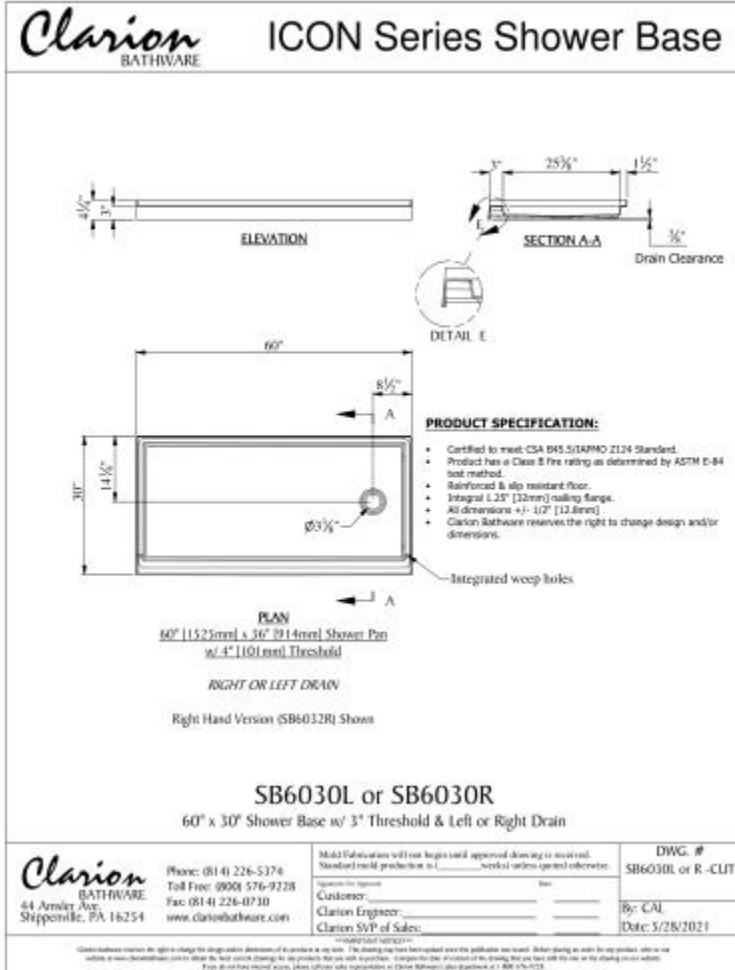
**Model number:**

CL030013

**Dimensions:** 60" x 30" x 4.25"

**Installation:**

**Material:** AcrylX™



## Dimensions

60 x 30 x 4 1/4 In.  
(1524 x 107 x 762 mm)

## Shape

Rectangular

## Drain location:

Left

Right

Project:

Contractor:

Representative:

Date:

Tel:

Notes:

Clarion